

EB232(32)X-10D

25Gb/s SFP28 BIDI 10km DDM Transceiver

PRODUCT FEATURES

- Support 25GE and CPRI, data rate up to 25.78125Gbps
- Hot-Pluggable SFP Footprint and Single LC Connector
- Up to 10km reach for G.652 SMF
- 1270nm DFB Transmitter and 1330 PIN receiver for EB232X-10D
- 1330nm DFB Transmitter and 1270 PIN receiver for EB322X-10D
- Temperature Range:
 - Commercial: 0°C ~70°C
 - Industrial: -40°C ~85°C
- Low power consumption:
 - Commercial: <1W
 - Industrial: <1.2W
- Compliant with SFP-8431
- Compliant with SFP-8432
- Compliant with SFP-8472
- Compliant with IEEE802.3cc
- RoHS 6 compliance
- Complies with EU Directive 2015/863/EU



APPLICATIONS

- 25GBASE-BR10 Ethernet

DESCRIPTIONS

The EB232(32)X-10D series single mode transceivers are high performance, cost effective modules supporting data rate of 25.78Gbps and 10km transmission distance with SMF. The EB232(32)X-10D module is designed for single mode fiber and operates at a nominal wavelength of 1270nm or 1330nm; the transmitter section uses a multiple quantum well DFB, which is class 1 laser compliant according to International Safety Standard IEC-60825.

The SFP28 10km module electrical interface is compliant to SFI electrical specifications. The transmitter input and receiver output impedance is 100 Ohms differential. Data lines are internally AC coupled. The module provides differential termination and reduce differential to common mode conversion for quality signal termination and low EMI.

Ordering information

Package	Part No.	Data Rate (Gbps)	Reach (km)	Temperature Range (°C)		Wavelength (nm)
SFP28	EB232X-10D	25.78	10	0~70	Commercial	1270 TX/1330 RX
SFP28	EB232X-10DI	25.78	10	-40-85	Industrial	1270 TX/1330 RX
SFP28	EB322X-10D	25.78	10	0~70	Commercial	1330 TX/1270 RX
SFP28	EB322X-10DI	25.78	10	-40-85	Industrial	1330 TX/1270 RX

I. Absolute Maximum Ratings

Parameter	Symbol	Min	Max	Units
Storage Temperature	T _{stg}	-40	+85	°C
Case Operating Temperature (Commercial)	T _o	0	+70	°C
Case Operating Temperature (Industrial)	T _o	-40	+85	°C
Relative Humidity - Storage	RH _s	5	95	%
Relative Humidity - Operating	RH _o	5	85	%
DC Supply Voltage	VCC	0	3.6	V

Notes:

- Exceeding the Absolute Maximum Ratings may cause irreversible damage to the device.
- The device is not intended to be operated under the condition of simultaneous Absolute Maximum Ratings, a condition which may cause irreversible damage to the device.

II. Recommended Operating Conditions

Parameter	Symbol	Min	Typ	Max	Units
Case Operating Temperature (Commercial)	Tcase	0	-	+70	°C
Case Operating Temperature (Industrial)		-40		+85	°C
Supply Voltage	VCC	3.13	-	3.46	V
Power Supply Current(Commercial)	Icc	-	-	300	mA
Power Supply Current(Industrial)				360	

III. Electrical Characteristics

High-Speed Signal: Compliant to CEI-28G-VSR

Low-Speed Signal: Compliant to SFF-8419

Parameter	Symbol	Min.	Typical	Max.	Unit	Notes
Transmitter (Module Input)						
Differential Data Input Amplitude	V _{IN,P-P}	-	-	900	mVpp	
Differential Impedance		90	100	110	Ω	
Tx_Disable	Normal Operation	V _{IL}	-0.3	-	0.8	V
	Laser Disable	V _{IH}	2.0	-	V _{CC} +0.3	V
Receiver (Module Output)						
Differential Data Output Amplitude	V _{OUT,P-P}	-	-	900	mVpp	
Differential Termination Mismatch (1MHZ)		-	-	10	%	
Differential Impedance		90	100	110	Ω	
Rx_LOS	Normal Operation	V _{OL}	-0.3	-	0.4	V
	Loss Signal	V _{OH}	2	-	V _{CC} H _{OST}	V

IV. Optical Characteristics

Parameter	Symbol	Min	Typ	Max	Units	Notes
Transmitter						
Optical Modulation Amplitude (OMA)	POMA	-4	-	2.2	dBm	
Average Output Power	POUT	-7	-	2	dBm	
Average Output Power (Laser Off)	POFF	-	-	-30	dBm	

Wavelength	λ	1260		1280	nm	EB232X-10D
		1320		1340		EB322X-10D
Spectrum Bandwidth @ -20dB	$\Delta\lambda$	-	-	1	nm	
Side mode suppression ratio (SMSR)	SMSR	30	-	-	dB	
Extinction ratio	ER	3.5	-	-	dB	
Transmitter and dispersion penalty (TDP)				2.7	dB	
RIN _{20OMA}	RIN	-	-	-130	dB/Hz	
Transmitter Reflectance (max)	TFL			-26	dB	
Receiver						
Wavelength	λ	1320		1340	nm	EB232X-10D
		1260		1280		EB322X-10D
Received Sensitivity	P_{IN}	-	-	-13.3	dBm	25G BER<5x10 ⁻⁵ PRBS2 ³¹ -1;
Received Sensitivity (OMA)	P_{IN} (OMA)	-	-	-12	dBm	25G BER<5x10 ⁻⁵ PRBS2 ³¹ -1;
Optical Power Overload	P_{IN} (SAT)	2	-	-	dBm	
Damage threshold		3			dBm	
Receiver Reflectance	RFL	-	-	-26	dB	
Rx_LOS of Signal Assert	P_A	-30	-	-	dBm	
Rx_LOS of Signal De-assert	P_D	-	-	-17	dBm	
Rx_LOS of Signal Hysteresis	PHY	0.5	-	5	dB	
Optical Return Loss Tolerance	ORLT	-	-	20	dB	

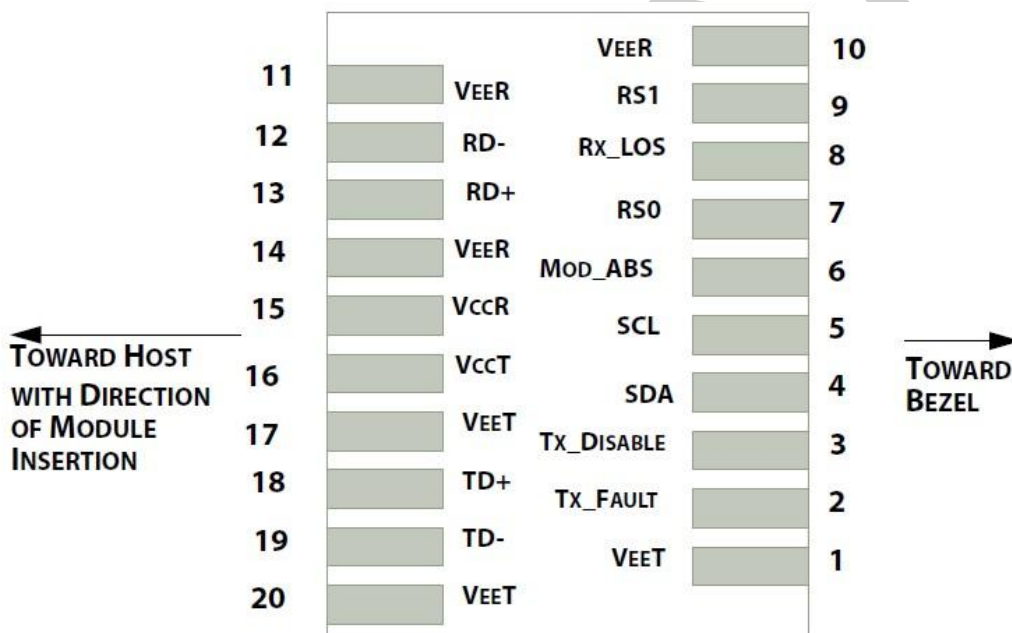
V. Digital Diagnostic Functions

Parameter	Range	Accuracy	Unit	Calibration
Temperature	-40 to 85	±3	°C	Internal
Voltage	3.13 to 3.47	±3%	V	Internal
Tx Bias Current Per Lane	0 to 100	±10%	mA	Internal
Tx Output Power Per Lane	-7 to 2	±3	dBm	Internal
Rx Power	-17 to 3	±3	dBm	Internal

VI. Communication Interface Timing Characteristics

Parameter	Symbol	Min.	Typical	Max.	Unit	Notes
TX_Disable Assert Time	t_off			100	us	
TX_Disable Negate Time	t_on			2	ms	
Time to Initialize Include Reset of TX_FAULT	t_int			300	ms	
TX_FAULT from Fault to Assertion	t_fault			100	us	
TX_Disable Time to Start Reset	t_reset	10			us	
Receiver Loss of Signal Assert Time	T _{A,RX_LOS}			100	us	
Receiver Loss of Signal Deassert Time	T _{d,RX_LOS}			100	us	
Rate-Select Chage Time	t_ratesel			10	us	

VII.Pin Diagram



VIII.Pin Descriptions

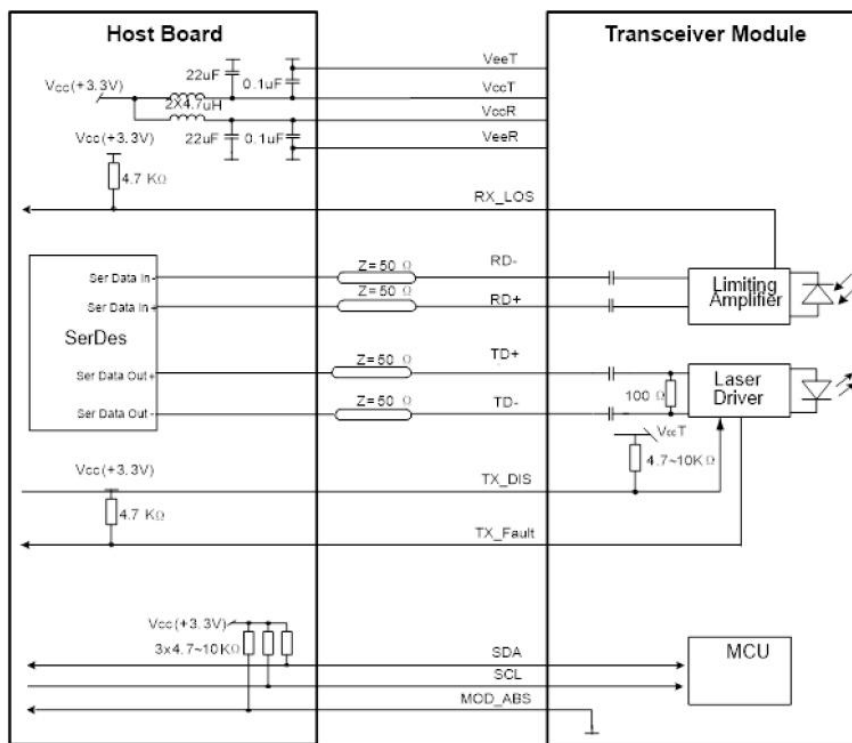
PIN	Symbol	Name/Description	Notes
1	VeeT	Transmitter Ground	1
2	Tx_Fault	Transmitter Fault - High indicates a fault condition	2
3	Tx_Disable	Transmitter Disable – High or open disables the transmitter	
4	SDA	2-wire Serial Interface Data Line (MOD-DEF2)	3
5	SCL	2-wire Serial Interface Clock (MOD-DEF1)	3
6	MOD_ABS	Module Absent, connected to VeeT or VeeR in the module	
7	RS0	Rate Select 0	5
8	RX_LOS	Receiver Loss of Signal(LVTTL-O). Logic 0 indicates normal operation	4
9	RS1	Rate Select 1	5

10	VeeR	Receiver Ground	1
11	VeeR	Receiver Ground	1
12	RD-	Inverse Received Data out (CML-O), AC Coupled	
13	RD+	Receiver Non-inverted DATA out. AC Coupled	
14	VeeR	Receiver Ground	1
15	VccR	Receiver Power Supply	
16	VccT	Transmitter Power Supply	
17	VeeT	Transmitter Ground	1
18	TD+	Transmitter Non-Inverted DATA in. AC Coupled.	
19	TD-	Transmitter Inverted DATA in. AC Coupled.	
20	VeeT	Transmitter Ground	1

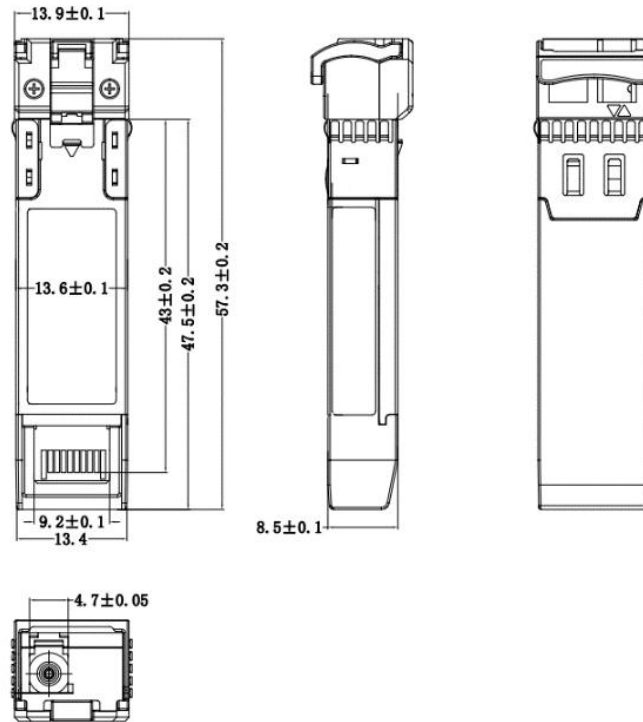
Note:

1. Module ground pins GND are isolated from the module case.
2. Tx_Fault is an open collector/drain output, which should be pulled up with a 4.7k – 10k Ohms resistor on Host board.
3. Should be pulled up with 4.7k–10kohms on host board to a voltage between 2.0V and 3.6V.
4. LOS is open collector output. Should be pulled up with 4.7k–10kohms on host board to a voltage between 2.0V and 3.6V.
5. RS0 and RS1 pins are pulled low to GND with a resistor > 30KΩ in module.

IX.Recommend Circuit Schematic



X.Mechanical Specifications(Unit: mm)



Company: ETU-Link Technology Co., LTD

Address: Right side of 3rd floor, No. 102 building, Longguan expressway, Dalang street, Longhua District, Shenzhen city, Guangdong Province, China 518109

Tel: +86-755 2328 4603

Addresses and phone number also have been listed at www.etulinktechnology.com.

Please e-mail us at sales@etulinktechnology.com or call us for assistance.