

**ETU-LINK**

Optical Communication System

PON Series

xEPON

EXEP2592-3SCD20

10G SFP+ SC EPON ONU

Features

- SFP+ Package with SC Receptacle
- Single +3.3V Power Supply
- 10.3125 Gbps / 1270nm Burst-Mode Transmitter with DFB laser
- 10.3125 Gbps / 1577nm High Sensitivity Continuous-Mode PIN-TIA Receiver
- LVTTTL Tx_Burst, Tx_SD, LOS
- LVTTTL Sleep Mode for Power Consumption
- Operating Case Temperature
Standard: 0°C~+70°C
Industrial: -40°C~+85°C
- Compliant with Class 1 FDA and IEC60825-1 laser safety
- Compliant with SFF-8472 MSA
- Compliant with IEEE 802.3av
- Compliant with SFP+ MSA SFF-8431
- RoHS-6 compliance



Applications

- 10GBASE-PR-U1 application

Ordering information

P/N	Input	Output	Burst-Mode	Fiber	Interface	Temp
EXEP2592-3SCD20	AC	AC	LVTTTL	SMF	SC	Standard
EXEP2592-3SID20	AC	AC	LVTTTL	SMF	SC	Industrial

Note1: Standard version

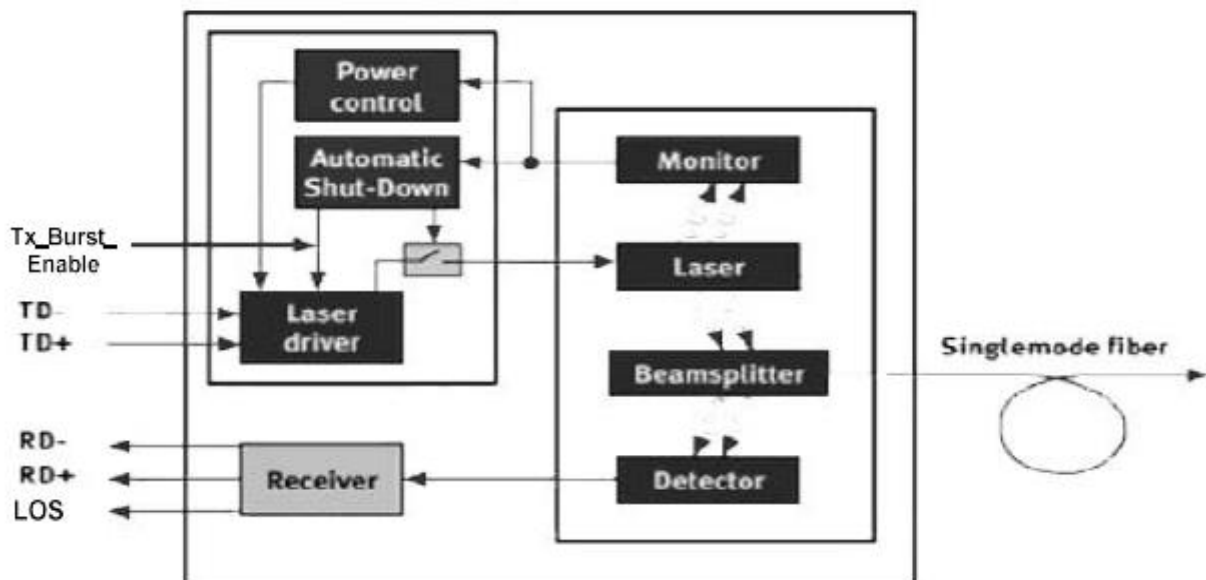
*The product image only for reference purpose.

Regulatory Compliance

Product Certificate	Certificate Number	Applicable Standard
TUV	R50135086	EN 60950-1:2006+A11+A1+A12+A2
		EN 60825-1:2014
		EN 60825-2:2004+A1+A2
UL	E317337	UL 60950-1
		CSA C22.2 No. 60950-1-07
EMC CE	AE 50285865 0001	EN 55022:2010
		EN 55024:2010
FCC	WTF14F0514417E	47 CFR PART 15 OCT., 2013
FDA	/	CDRH 1040.10
ROHS	/	2011/65/EU

Note2: The above certificate number updated to June 2014, because some certificate will be updated every year, such as FDA and ROHS. For the latest certification information, please check with Eoptolink.

Functional Diagram



Product Description

EXEP2592-3SCD20 is a transceiver for the optical network unit (ONU) of 10GEPON with 10.3125Gbps in downstream and 10.3125Gbps in upstream. EXEP2592-3SCD20 series is high performance module for single fiber communications by using 1270nm burst-mode transmitter and 1577nm continuous-mode receiver.

The transmitter section uses a DFB 1270nm laser and is a class 1 laser compliant according to International Safety Standard IEC-60825-1. The receiver section uses an integrated 1577 nm detector preamplifier (IDP) mounted in an optical header and a limiting post-amplifier IC. CML interface is used for differential inputs and outputs. LVTTTL logic control interface simplifies the interfaces to external circuitry.

Compatibility Test

In order to ensure the product compatibility, our products will be tested on the switch before shipment. Our modules can compatible with many mainstream brand switches, such as Cisco, Juniper, Extreme, Brocade, IBM, H3C, HP, Huawei, D-Link, Mikrotik, ZTE, TP-Link...

Our test equipment: VOLKTEK MEN-4110, HP 2530-8G, CRS226-24G-25+RM, Catalyst 2960G Series, Catalyst 3850 XS 10G SFP+, Catalyst 3750-E Series, HUAWEI S5700Series, H3C S3100V2 Series, Juniper-EX4200, etc.



Cisco Catalyst 3850



HUAWEI S5700



H3C S3100V2



HP J9264AR



Juniper EX 4200



Alcatal 6850E-U24X



Mikrotik CR5226-24G-25+RM



Cisco Catalyst 2960G



Volktek MEN-4110

Quality Assurance

Continuous introduction of new equipment, produced by strict standards, strict quality inspection, to guarantee the high quality standard of each product.



**Standardized
Production Line**



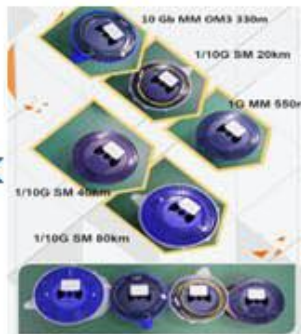
**Professional
Welding**



Assembling



Aging Testing



Distance Testing



Cleaning end face



Product Initial Test



Switch Testing



Product Final Test

Packaging

ETU-Link provides two kinds of packaging, 10pcs/Tray and individual package.



Company: ETU-Link Technology Co., LTD

Address: 4th Floor, C Building, JinBoLong Industrial Park, QingQuan Road, LongHua District, Shenzhen city, GuangDong

Tel: +86-755 2328 4603

Addresses and phone number also have been listed at www.etulinktechnology.com.

Please e-mail us at sales@etulinktechnology.com or call us for assistance.